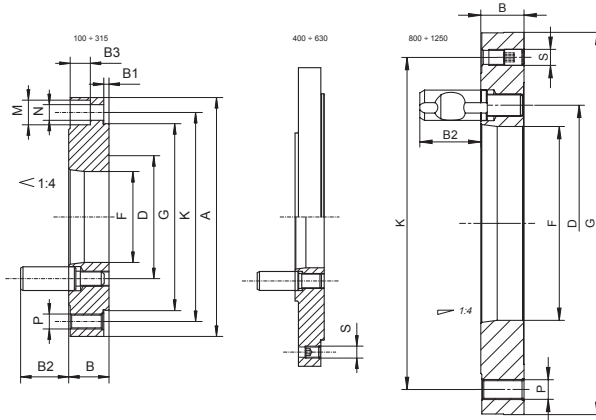


**8240-X**  
DIN 55029

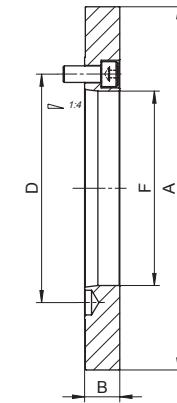


**FLANSCH FERTIGBEARBEITET**  
FULLY-FINISHED ADAPTER PLATES

Artikel Nr.	W	KK 1:4	A	B	B1	B2	D	F	G (h6)	K	M	N	P	S	kg
Code No.		ST 1:4													
358245122900	125	4	125	26,0	3,5	32,2	82,6	60,0	95	108,0	3x13,5	3x8,4	6xM8	-	1,6
358245032000	160	3	160	27,0	3,5	30,8	70,6	51,4	125	140,0	3x16,5	3x8,4	6xM10	-	3,1
358245132000	160	4	160	27,0	3,5	32,2	82,6	60,0	125	140,0	3x16,5	3x8,4	6xM10	-	2,9
358245232100	160	5	160	30,0	3,5	38,2	104,8	79,5	125	140,0	3x16,5	3x8,4	6xM10	-	3,0
358245142200	200	4	200	27,0	3,5	32,8	82,6	60,0	160	176,0	6x16,5	6x10,5	6xM10	-	4,9
358245242300	200	5	200	30,0	3,5	38,2	104,8	79,5	160	176,0	6x16,5	6x10,5	6xM10	-	4,8
358245342400	200	6	200	36,5	3,5	44,2	133,4	103,0	160	176,0	6x16,5	6x10,5	6xM10	-	5,9
358245352600	250	6	250	36,5	4,5	44,2	133,4	103,0	200	224,0	6x19,0	6x13	6xM12	-	8,7
358245452700	250	8	250	39,0	4,5	50,7	171,4	136,1	200	224,0	6x19,0	6x13	6xM12	-	9,4
358245362800	315	6	315	39,0	4,5	44,2	133,4	103,0	260	286,0	6x25,0	6x17	6xM16	-	17,4
358245462900	315	8	315	39,0	4,5	50,7	171,4	136,1	260	286,0	6x25,0	6x17	6xM16	-	15,9
358245562000	315	11	315	47,0	4,5	60,6	235,0	192,8	260	286,0	6x25,0	6x17	6xM16	-	16,3
358245472000	400	8	400	39,0	4,5	50,7	171,4	136,1	330	362,0	6x25,0	6x17	6xM16	3xM16	27,4
358245572100	400	11	400	47,0	4,5	60,6	235,0	192,8	330	362,0	6x25,0	6x17	6xM16	3xM16	27,4
358245582300	500	11	500	47,0	4,5	60,6	235,0	192,8	420	458,0	6x25,0	6x17	6xM16	3xM16	44,5
358245602000	630	11	630	47,0	6,0	60,6	235,0	192,8	545	586,0	6x25,0	6x17	6xM16	3xM16	74,5

W - Futterdurchmesser • Chuck diameter

**8212**  
DIN 55029



**FLANSCH VORGEARBEITET**  
SEMI-MACHINED ADAPTER PLATES

- Flansch für Drehfutter und Planscheiben
- Futterseitig plan, maschinenseitig fertig
- Adapters for plain back self-centering and independent chuck
- Rough on the chuck side

Artikel Nr.	W	KK 1:4		A	B	D	F	kg
		ST 1:4						
358212030800	100	3		102	18	70,6	51,4	1,8
358212040000	125	3		127	19,5	70,6	51,4	2,4
358212050100	125	4		127	19,5	82,6	60,9	2,4
358212060300	160	3		162	19,5	70,6	51,4	4,2
358212070500	160	4		162	24,0	82,6	60,9	4,2
358212080700	160	5		162	24,0	104,8	79,5	4,2
358212100300	200	4		203	24,0	82,6	60,9	12,0
358212110500	200	5		203	38,0	104,8	55,0	12,0
358212120700	200	6		203	33,0	133,4	54,0	12,0
358212150200	250	5		253	33,0	104,8	79,5	16,0
358212160400	250	6		253	50,0	133,4	80,5	16,0
358212170600	250	8		253	46,0	171,4	80,5	16,0
358212200400	315	6		318	33,0	133,4	103,0	22,0
358212210600	315	8		318	55,0	171,4	103,0	22,0
358212221000	315	11		318	55,0	235,0	103,0	22,0
358212250300	400	8		405	43,0	171,4	136,1	42,0
358212260500	400	11		405	75,0	235,0	136,1	42,0
358212300500	500	8		505	45,0	171,4	131,6	72,0
358212311000	500	11		505	45,0	235,0	192,8	72,0
358212351700	630	11		635	45,0	235,0	192,8	105,0
358212361900	630	15		635	56,0	330,2	192,8	105,0
358212381200	800	11		385	45,0	235,0	192,8	130,0
358212391400	800	15		408	45,0	330,2	281,4	130,0

W - Futterdurchmesser • Chuck diameter