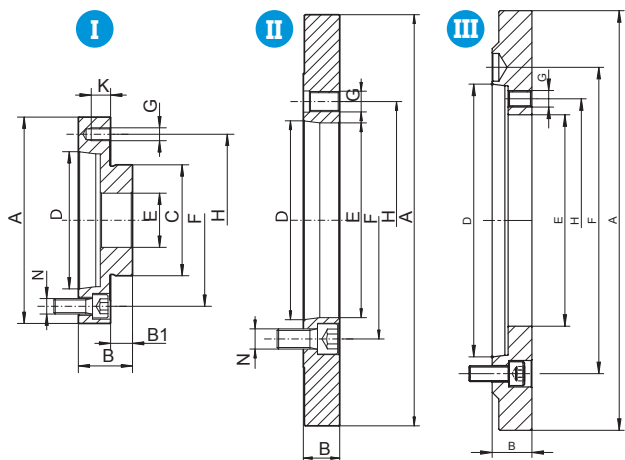


1
2
3
4
5
6

**FLANSCH FERTIGBEARBEITET
FÜR FUTTER MIT FEINEINSTELLUNG**
FULLY MACHINED ADAPTER PLATES
FOR CHUCKS WITH FINE ADJUSTMENT

8215
DIN 55026

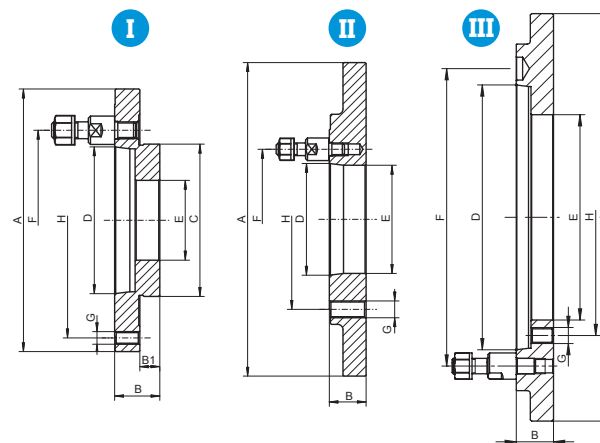


Artikel Nr. Code No.	W	KK 1:4 ST 1:4	Z	A	B	B1	C	D	E	F	G	H	K	kg
● 358215070000	125	5	I	125,00	36	14	55,00	82,563	35,0	104,8	M8	108,0	22	1,9
● 358215080100	160	5	I	160,00	37	16	86,00	82,563	42,0	104,8	M10	140,0	21	3,1
● 358215110000	200	5	I	200,00	33	17	110,00	82,563	55,0	104,8	M10	176,0	16	4,2
● 358215120100	200	6	I	200,00	45	17	110,00	106,375	55,0	133,4	M10	176,0	28	6,2
● 358215150700	250	5	I	250,00	38	19	145,00	82,563	76,0	104,8	M12	224,0	19	7,8
● 358215160900	250	6	I	250,00	38	19	145,00	106,375	76,0	133,4	M12	224,0	19	7,9
● 358215210000	315	8	I	315,00	46	19	180,00	139,719	103,0	171,4	M16	286,0	27	16,0
● 358215230400	400	6	II	298,45	35	-	298,45	106,375	136,0	133,4	M16	171,4	35	14,3
● 358215240600	400	8	II	298,45	37	-	298,45	139,719	136,0	171,4	M16	171,4	29	12,8
● 358215251000	400	11	II	298,45	48	-	298,45	196,869	136,0	235,0	M16	171,4	27	16,2
● 358215290500	500	15	II	407,00	52	-	407,00	285,775	190,0	330,2	M20	235,0	52	34,6
● 358215360000	630	11	II	407,00	36	-	407,00	196,869	192,8	235,0	M20	330,2	36	27,6
● 358215370200	630	15	II	407,00	52	-	407,00	285,775	252,0	330,2	M20	330,2	52	29,6
● 358215380400	800	11	II	635,00	40	-	635,00	196,869	192,8	235,0	M24	368,3	40	86,5

W - Futterdurchmesser • Chuck diameter Z - Form der Flansche • Adapter form

**FLANSCH FERTIGBEARBEITET
FÜR FUTTER MIT FEINEINSTELLUNG**
FULLY MACHINED ADAPTER PLATES
FOR CHUCKS WITH FINE ADJUSTMENT

8235
DIN 55027



Artikel Nr. Code No.	W	KK 1:4 ST 1:4	Z	A	B	B1	C	D	E	F	G	H	kg
● 358235022000	125	5	I	130,00	35	14	55,00	82,563	35,0	104,8	M8	108,0	1,8
● 358235050000	160	5	I	160,00	37	16	86,00	82,563	42,0	104,8	M10	140,0	3,0
● 358235080600	200	5	I	200,00	33	17	110,00	82,563	55,0	104,8	M10	176,0	4,4
● 358235090800	200	6	I	200,00	40	17	110,00	106,375	55,0	133,4	M10	176,0	5,3
● 358235110400	250	6	I	250,00	38	19	145,00	106,375	76,0	133,4	M12	224,0	7,9
● 358235120600	250	8	I	250,00	43	19	145,00	139,719	76,0	171,4	M12	224,0	10,3
● 358235140000	315	8	I	315,00	43	19	180,00	139,719	103,0	171,4	M16	286,0	15,0
● 358235150100	315	11	I	315,00	50	19	180,00	196,869	103,0	235,0	M16	286,0	17,9
● 358235240000	400	8	II	298,45	37	-	298,45	139,719	135,8	171,4	M16	171,4	15,0
● 358235252800	400	11	II	298,45	37	-	298,45	196,869	120,0	235,0	M16	171,4	17,0
● 358235280800	500	11	II	407,00	36	-	407,00	196,869	192,8	235,0	M20	235,0	29,6
● 358235360500	630	11	II	407,00	36	-	407,00	196,869	192,8	330,2	M20	330,2	29,6

W - Drehfutterdurchmesser • Diameter Z - Form der Flansche • Adapter form