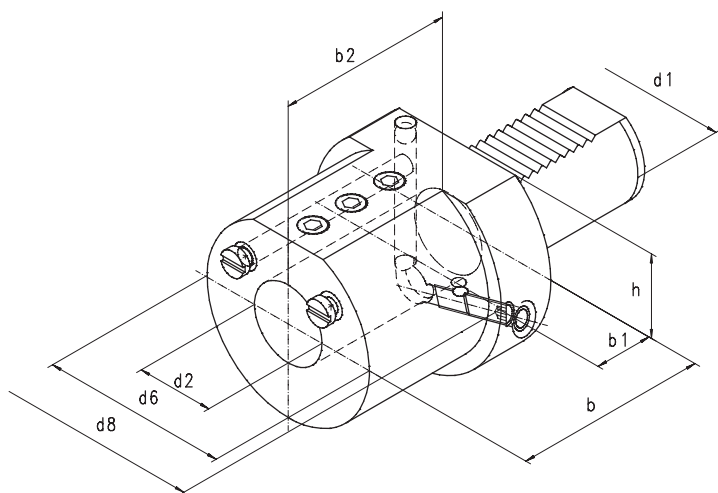


1258



- Werkzeughalter für Werkzeuge mit zylindrischem Schaft
- Interne oder externe Kühlmittelzufuhr
- Toolholder for tools with cylindrical shank
- Internal or external coolant

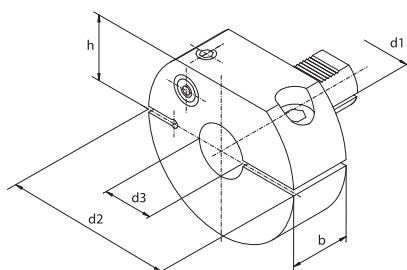


Artikel Nr. Code No.	Typ Type	DIN 69880	d1	d2	d6	d8	b	b1	b2	h
341258231800	1258-16-8	E2-16 x 8	16	8	32	40	44	14	34	18,0
341258233300	1258-16-10	E2-16 x 10	16	10	32	40	44	14	34	18,0
341258235900	1258-16-12	E2-16 x 12	16	12	40	40	44	14	34	18,0
341258237400	1258-16-16	E2-16 x 16	16	16	40	40	44	14	34	18,0
341258331900	1258-20-8	E2-20 x 8	20	8	40	50	50	18	41	-
341258333400	1258-20-10	E2-20 x 10	20	10	40	50	50	18	41	-
341258335000	1258-20-12	E2-20 x 12	20	12	40	50	50	18	41	-
341258337500	1258-20-16	E2-20 x 16	20	16	40	50	50	18	41	-
341258339000	1258-20-20	E2-20 x 20	20	20	50	50	50	18	41	-
341258341000	1258-20-25	E2-20 x 25	20	25	50	50	60	18	51	-
341258431000	1258-30-8	E2-30 x 8	30	8	55	68	60	22	51	28,0
341258433500	1258-30-10	E2-30 x 10	30	10	55	68	60	22	51	28,0
341258435000	1258-30-12	E2-30 x 12	30	12	55	68	60	22	51	28,0
341258437600	1258-30-16	E2-30 x 16	30	16	55	68	60	22	51	28,0
341258439100	1258-30-20	E2-30 x 20	30	20	55	68	60	22	51	28,0
341258440900	1258-30-25	E2-30 x 25	30	25	55	68	60	22	51	28,0
341258441100	1258-30-30	-	30	30	68	68	75	22	51	28,0
341258443700	1258-30-32	E2-30 x 32	30	32	68	68	75	22	61	28,0
341258531000	1258-40-8	-	40	8	50	83	75	22	61	32,5
341258533600	1258-40-10	-	40	10	50	83	75	22	61	32,5
341258535100	1258-40-12	E2-40 x 12	40	12	50	83	75	22	61	32,5
341258537700	1258-40-16	E2-40 x 16	40	16	55	83	75	22	61	32,5
341258539200	1258-40-20	E2-40 x 20	40	20	55	83	75	22	61	32,5
341258541200	1258-40-25	E2-40 x 25	40	25	60	83	75	22	61	32,5
341258543800	1258-40-30	-	40	30	72	83	75	22	61	32,5
341258545300	1258-40-32	E2-40 x 32	40	32	72	83	75	22	61	32,5
341258547900	1258-40-40	E2-40 x 40	40	40	83	83	90	22	76	32,5
341258633700	1258-50-10	-	50	10	50	98	75	30	62	35,0
341258635200	1258-50-12	-	50	12	56	98	90	30	76	35,0
341258637800	1258-50-16	E2-50 x 16	50	16	56	98	90	30	76	35,0
341258639300	1258-50-20	E2-50 x 20	50	20	56	98	90	30	76	35,0
341258641300	1258-50-25	E2-50 x 25	50	25	65	98	90	30	76	35,0
341258643900	1258-50-30	-	50	30	68	98	90	30	76	35,0
341258645400	1258-50-32	E2-50 x 32	50	32	68	98	90	30	76	35,0
341258647000	1258-50-40	E2-50 x 40	50	40	80	98	90	30	76	35,0
341258649500	1258-50-50	E2-50 x 50	50	50	90	98	100	30	86	35,0

1230



- Werkzeughalter für Bohrstäben
- Toolholder for boring bars



Artikel Nr. Code No.	Typ Type	d1	d2	d3	b	h
341230010000	1230-30-12	30	68	12	30	28,0
341230020100	1230-30-16	30	68	16	30	28,0
341230030300	1230-30-20	30	68	20	30	28,0
341230040500	1230-40-12	40	83	12	30	32,5
341230050700	1230-40-16	40	83	16	30	32,5
341230060900	1230-40-20	40	83	20	30	32,5
341230070000	1230-40-25	40	83	25	30	32,5
341230110000	1230-50-16	50	98	16	30	35,0
341230120200	1230-50-20	50	98	20	30	35,0
341230130400	1230-50-25	50	98	25	30	35,0
341230140600	1230-50-32	50	98	32	30	35,0