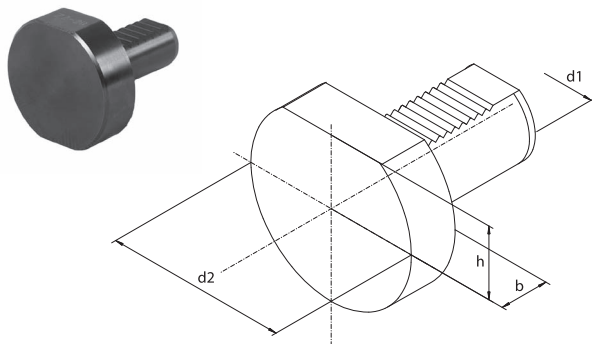


1
2
3
4
5
6

1225



- Verschlussstopfen
- Blanking plug (steel)

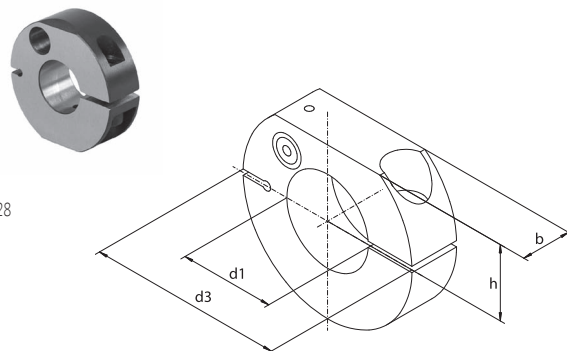


Artikel Nr. Code No.	Typ Type	DIN 69880	d1	d2	b	h
341225000100	1225-16	Z2-16	16	40	13	18,0
341225001400	1225-20	Z2-20	20	50	16	23,0
341225010300	1225-25	Z2-25	25	58	16	25,0
341225020500	1225-30	Z2-30	30	68	16	28,0
341225030700	1225-40	Z2-40	40	83	20	32,5
341225040900	1225-50	Z2-50	50	98	20	35,0

1227



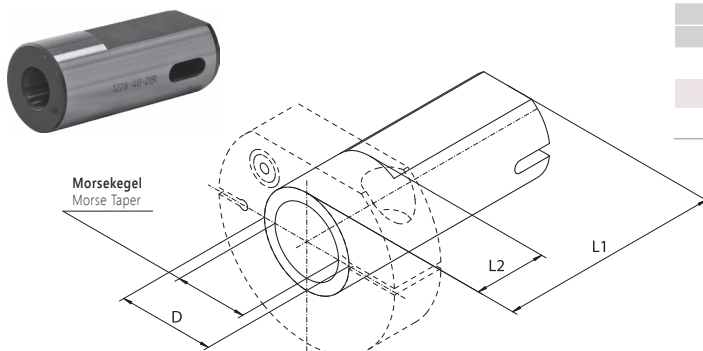
- Klemmringe für Reduzierhülse Typ 1228
- Clamping ring used with the sleeves type 1228



Artikel Nr. Code No.	Typ Type	DIN 69880	d1	d3	b	h
341227010000	1227-20	Z1-20	20	50	16	23,0
341227020100	1227-25	Z1-25	25	58	16	25,0
341227030300	1227-30	Z1-30	30	68	22	28,0
341227040500	1227-40	Z1-40	40	83	22	32,5
341227050700	1227-50	Z1-50	50	98	30	35,0

1228

- Reduzierhülse
- Reducing sleeve with morse taper



Artikel Nr. Code No.	Typ Type	D	Morsekegel Morse Taper	L1	L2
341228030100	1228-40-2BI	40	2	95	30
341228031400	1228-40-3BI	40	3	95	30
341228032700	1228-40-4BI	40	4	118	55

1225
1227
1228