

1

2

3

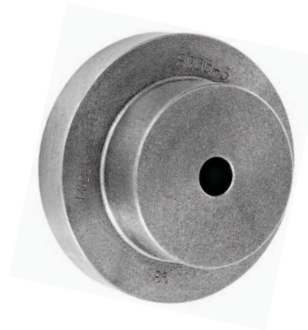
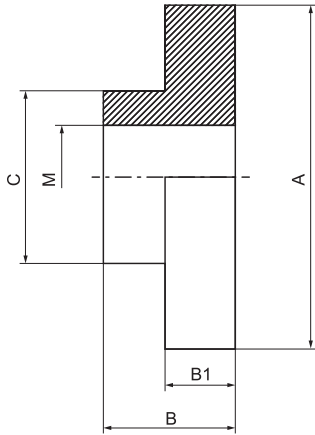
4

5

6

**ROUGH FINISHED
THREADED ADAPTER PLATES**

8205

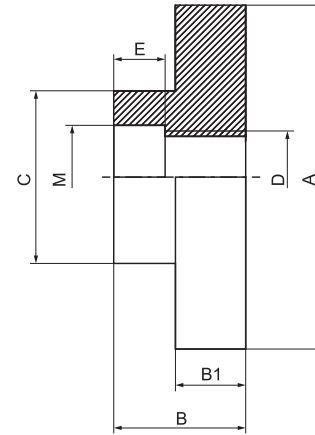


Code No.	W* [in]	A [in]	B [in]	B1 [in]	C [in]	M [in]	Weight [lbs]
7-870-105	3"	5.20	2.20	0.98	3.46	0.71	4.4
7-870-105	4"	5.20	2.20	0.98	3.46	0.71	4.4
7-870-105	5"	5.20	2.20	0.98	3.46	0.71	4.4
7-870-105	6"	6.69	2.20	0.98	3.46	0.98	12
7-870-108	8"	8.27	2.83	1.18	4.02	0.98	22
7-870-110	10"	10.24	3.54	1.26	4.53	1.57	34
7-870-112	12"	12.28	4.02	1.26	6.77	1.97	66
7-870-116	16"	16.34	4.92	2.17	9.06	2.76	154

W - Chuck diameter

**SEMI-FINISHED
THREADED ADAPTER PLATES**

8206



Code No.	W* [in]	Thread D	A [in]	B [in]	B1 [in]	C [in]	E [in]	M [in]	Weight [lbs]
7-871-041	4"	1-10	4.09	1.54	0.71	2.17	0.50	1.02	8
7-871-042	4"	1-1/2-8	4.09	1.54	0.71	2.68	0.50	1.52	8
7-871-051	5"	1-10	5.08	1.54	0.71	2.17	0.50	1.02	10
7-871-052	5"	1-1/2-8	5.08	1.54	0.71	2.68	0.50	1.52	10
7-871-062	6"	1-1/2-8	6.54	1.54	0.79	3.19	0.50	1.52	12
7-871-063	6"	2-1/4-8	6.54	1.79	0.79	3.19	0.63	2.26	12
7-871-082	8"	1-1/2-8	8.11	1.54	0.87	3.58	0.50	1.52	12
7-871-083	8"	2-1/4-8	8.11	1.79	0.87	3.58	0.63	2.26	13
7-871-084	8"	2-3/8-6	8.11	2.05	0.87	3.58	0.75	2.28	15
7-871-103	10"	2-1/4-8	10.08	1.79	0.98	4.17	0.63	2.26	22
7-871-104	10"	2-3/8-6	10.08	2.05	0.98	4.17	0.75	2.28	25
7-871-124	12"	2-3/8-6	12.64	2.05	1.10	4.33	0.75	2.28	33
7-871-125	12"	2-3/4-8	12.64	2.05	1.10	4.33	0.75	2.76	33

W - Chuck diameter