

Gear drive (m=4; z=135; Dp=540; x=0,80)

- Powered by a special gear transmission system, for use on lathes equipped with a power transmission system
- Especially designed for accurate mounting of pipes and other long components on the lathe spindle, with mounting of two chucks one at each end
- The double spindle configuration increases clamping force and clamping stability

2615-L



1

2

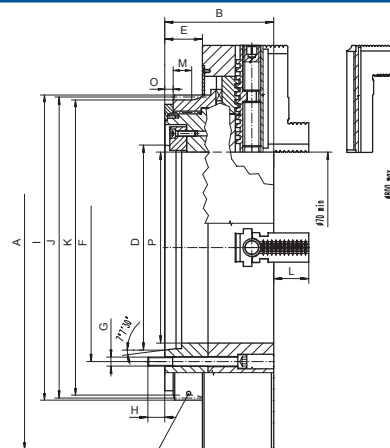
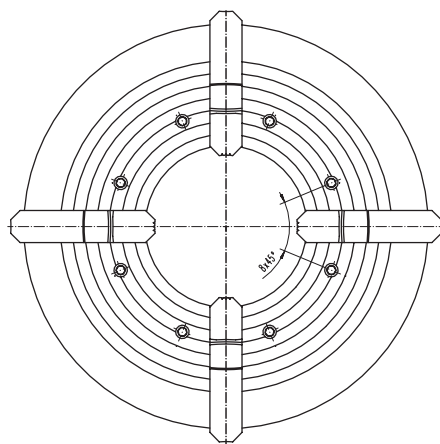
3

4

5

6

Code No.	Type	A [mm]	B [mm]	D [mm]	E [mm]	F [mm]	G [mm]	H [mm]	I h11 [mm]	J [mm]	K [mm]	L [mm]	M [mm]	O [mm]	P [mm]
7-755-2812L	2615-720-320L	720	194	345	67	400	8xM16	30	541.6	540	524	62.5	33	15	320
7-755-2813L	2615-720-340L	720	194	365	67	406	8xM16	30	541.6	540	524	62.5	33	15	340



Gear drive (m=3.5; z=108; Dp=378; x=0,53)

- Powered by a special gear transmission system, for use on lathes equipped with a power transmission system
- Especially designed for accurate mounting of pipes and other long components on the lathe spindle, with mounting of two chucks one at each end
- The double spindle configuration increases clamping force and clamping stability

2615-P



2615-L

2615-P

Code No.	Type	A [mm]	B [mm]	D [mm]	E [mm]	F [mm]	G [mm]	H [mm]	I h11 [mm]	J [mm]	K [mm]	L [mm]	M [mm]	O [mm]	P [mm]
7-755-2812P	2615-720-320P	720	194	345	67	400	8xM16	30	541.6	540	524	62.5	33	15	320
7-755-2813P	2615-720-340P	720	194	365	67	406	8xM16	30	541.6	540	524	62.5	33	15	340

