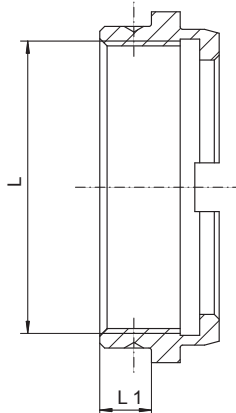


- 1
- 2
- 3
- 4
- 5
- 6

ADJUSTING NUT WITH THREAD

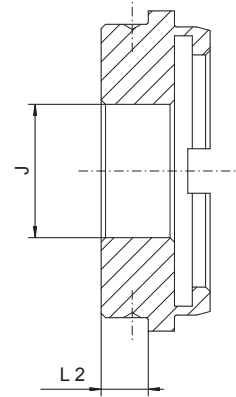
For Type
2105; 2105-K; 2405; 2405-K; 2605; 2605-K



Code No.	Size [mm]	L [mm]	L1 [mm]	Weight [lbs]
7-789-0522	135	M20x1.5	15.5	0.44
7-789-0532	135	M38x1.5	15.5	0.22
7-789-0534	135	M38x2.0	15.5	0.22
7-789-0542	135	M40x1.5	15.5	0.22
7-789-0544	135	M40x2.0	15.5	0.22
7-789-0624	160	M27x2.0	8.0	0.66
7-789-0642	160	M42x1.5	8.0	0.44
7-789-0652	160	M55x1.5	8.0	0.22
7-789-0644	160	M42x2.0	8.0	0.44
7-789-0650	160	M50x1.5	8.0	0.22
7-789-0654	160	M55x2.0	8.0	0.22
7-789-0834	200	M36x2.0	11.6	1.10
7-789-0852	200	M50x1.5	11.6	0.66
7-789-0862	200	M55x1.5	11.6	0.44
7-789-0872	200	M60x1.5	11.6	0.44
7-789-0854	200	M50x2.0	11.6	0.66
7-789-0864	200	M55x2.0	11.6	0.44
7-789-0874	200	M60x2.0	11.6	0.44
7-789-1054	250	M50x2.0	23.0	2.20
7-789-1062	250	M60x1.5	23.0	1.85
7-789-1082	250	M80x2	23.0	0.88
7-789-1074	250	M85x1.5	23.0	1.98
7-789-1080	250	M60x2	23.0	1.10
7-789-1084	250	M85x2.0	23.0	0.88
7-789-1075	250	M74x1.5	23.0	1.32
7-789-1076	250	M76x1.5	23.0	1.32
7-789-1264	315	M56x2.0	24.0	3.31
7-789-1292	315	M100x1.5	24.0	1.10
7-789-1294	315	M100x2.0	24.0	1.10
7-789-1664	400	M68x2.0	23.0	8.16
7-789-2064	500	M68x2.0	21.0	16.31
7-789-2564	630	M68x2.0	37.0	31.53
7-789-3264	800	M68x2.0	47.0	49.16

ADJUSTING NUT BLANK

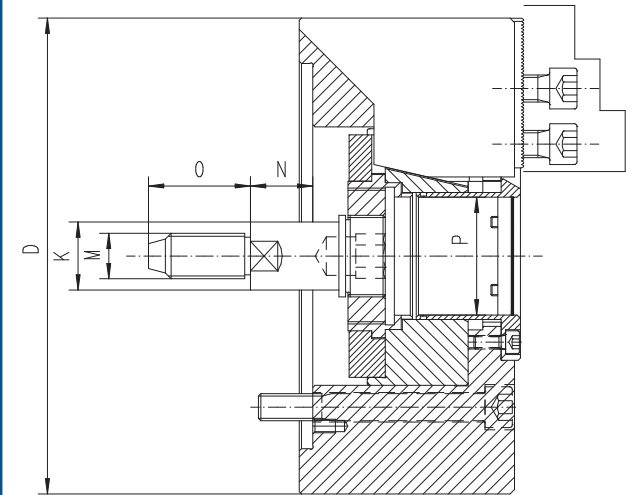
For Type
2105; 2105-K; 2405; 2405-K; 2605; 2605-K



Code No.	Size [mm]	J [mm]	L2 [mm]	Max. thread [mm]	Weight [lbs]
7-789-0501	135	12	15.5	M40x1.5	0.51
7-789-0601	160	20	8.0	M55x2.0	0.77
7-789-0602	160	20	8.0	M62x2.0	0.99
7-789-0801	200	20	11.6	M60x2.0	1.04
7-789-0802	200	20	11.6	M75x2.0	1.79
7-789-1001	250	25	23.0	M82x2.0	2.76
7-789-1002	250	25	23.0	M90x2.0	2.80
7-789-1201	315	25	24.0	M100x2.0	3.99
7-789-1202	315	25	24.0	M120x2.0	5.82
7-789-1601	400	60	23.0	M130x2.5	8.25
7-789-2001	500	60	21.0	M170x3.0	16.64
7-789-2501	630	60	37.0	M200x3.0	32.01
7-789-3201	800	60	47.0	M250x3.0	49.69

SPECIAL INSERT SET

For Type
2105; 2105-K; 2405; 2405-K; 2605; 2605-K



- A special insert enables to convert through-hole into a non through-hole
- The set includes:
 - 1) Cover, to be mounted on the chuck front face
 - 2) A special screw for connecting the adjusting nut with drawbar of the actuating cylinder
- Sets are available in different sizes, matching the chuck size

Code No.	Size [mm]	D [mm]	P [mm]	K [mm]	M	N [mm]	O [mm]
7-791-005	135-34	135	34	20	M12	20.5	35
7-791-006	160-45	169	45	24	M16	25.5	40
7-791-008	200-52	210	52	30	M20	27.5	45
7-791-010	250-75	254	75	36	M24	33	55
7-791-012	315-91	315	91	36	M24	34	55
7-791-016	400-120	400	120	36	M24	27	55