

1

2

3

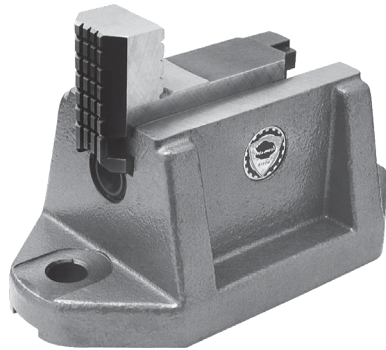
4

5

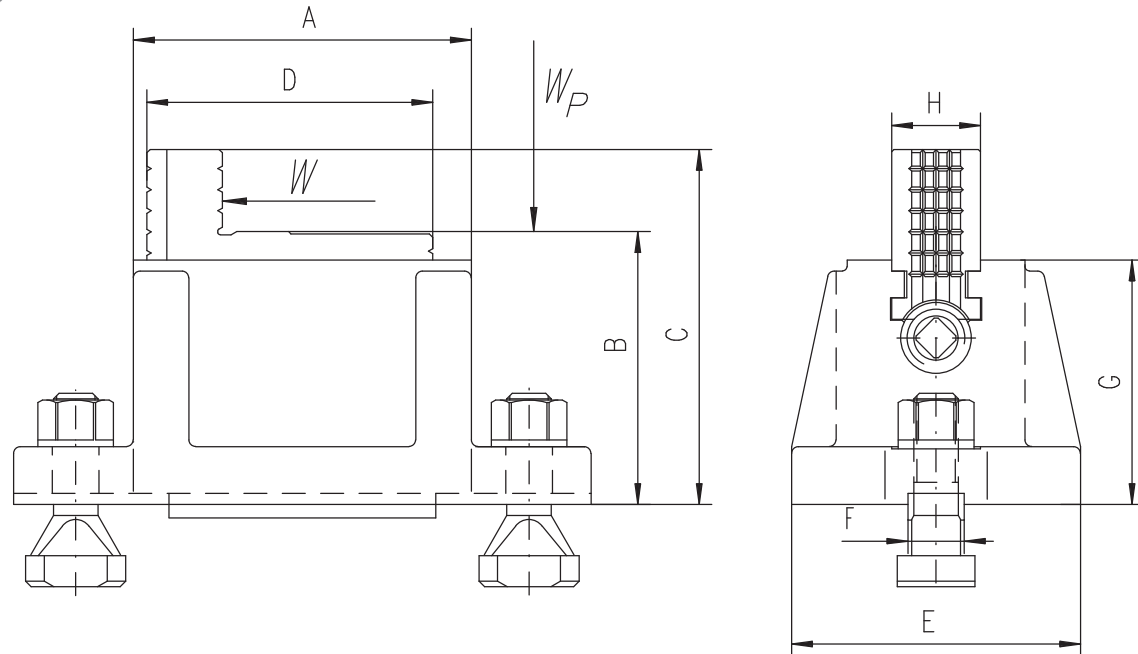
6

9170

SET OF 4 BOX JAWS



- Cast iron body, hardened and ground guideways
- Hardened reversible clamping jaws HRC 57÷60
- Used in turning, drilling, reaming and milling of irregular shaped workpieces
- Primarily suited for integration with face plates



Code No.	Type	A	B	C	D	E	F	G	H	Clamping force	Max load		Weight of 1 box jaw
											W	W _p	
											[mm]		
7-645-006	9170-150	152	122.8	159.8	127	130	25.4	110	40	28	6,985	13,970	27.56
7-645-008	9170-200	200	132	169.8	150	140	25.4	110	52	35	8,976	17,952	34.83