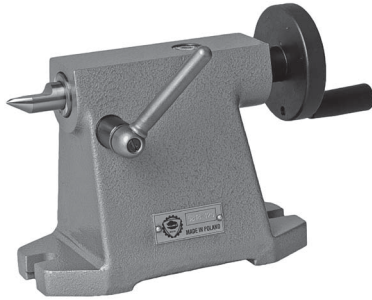
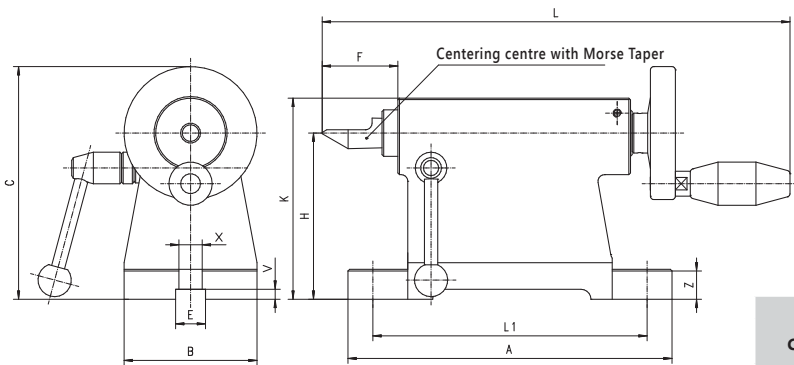


5818

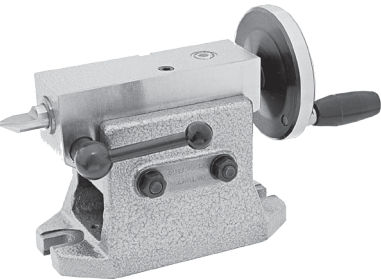
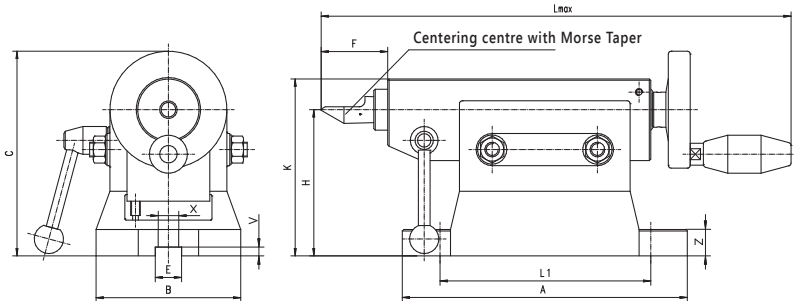


■ This tailstock is designed for use with indexing fixtures, rotary tables and dividing heads

Code No.	Type	A	B	C	E	F		H	K	L	L max.	V	X	Z	Morse Taper	Weight [lbs]
						min.	max.									
[mm]																
7-610-103	5818-80	164	68	120	18	26.0	44.0	80	95	244	134	6	14	14.5	1	5.5
7-610-104	5818-100	195	80	140	18	33.0	63.0	100	121	299	165	6	14	18.0	2	13.5
7-610-106	5818-125	195	90	178	18	39.0	69.0	125	146	315	165	6	14	18.0	2	16.3
7-610-108	5818-160	250	115	213	18	48.0	85.0	160	187	366	210	6	18	18.0	3	28.0
7-610-110	5818-200	275	130	253	18	59.5	99.5	200	233	420	235	6	18	20.0	4	39.5
7-610-112	5818-250	280	150	303	18	59.5	99.5	250	283	420	240	6	18	23.0	4	50.9

- 1
- 2
- 3
- 4
- 5
- 6

5819



■ Height (H) is precisely adjusted by means of a screw and, after the adjustment, the spindle is locked in a vertical position
 ■ These tailstocks are designed for use with indexing fixtures, rotary tables and dividing heads

Code No.	Type	A	B	C max.	E H7	F		H		K	L max.	L1	V	X	Z	Morse Taper	Weight [lbs]
						min.	max.	min.	max.								
[mm]																	
7-610-806	5819-95-130	195	100	183	18	40	70	95	130	155	335	165	6	14	16/18	2	26.5
7-610-808	5819-130-170	250	120	223	18	50	90	130	170	200	409	210	6	18.5	20/22	3	41.5
7-610-810	5819-170-200	280	142	253	18	50	90	170	200	230	433	240	6	18.5	23/25	3	56.2
7-610-812	5819-200-220	280	142	270	18	50	90	200	220	250	433	240	6	18.5	23/25	3	63.3
7-610-816	5819-220-250	300	164	303	18	60	100	220	250	285	465	260	6	18.5	23/25	4	94.8

- 5818
- 5819