

1

2

3

4

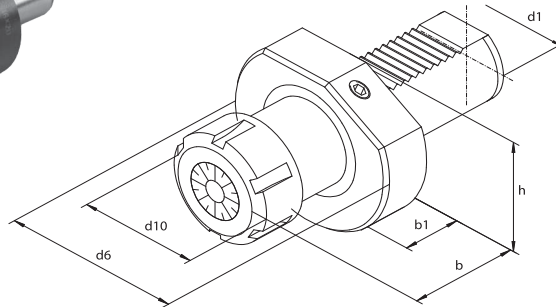
5

6

### 1220



- ER Collet Chuck Toolholder
- Internal coolant supply



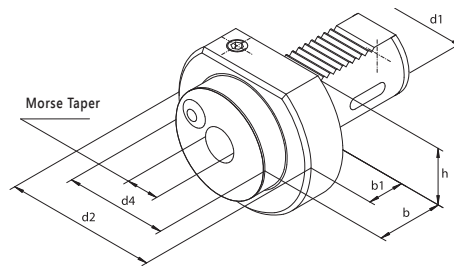
Code No.	Type	DIN 69880	d1	d6	d10	b	b1	h	Collet chuck	
									ER	Clamping range [mm]
7-366-030	1220-16-ER20	E4-16 x 20	16	40	35	45	14	18.0	20	2-13
7-366-110	1220-20-ER16	-	20	50	32	55	18	-	16	2-10
7-366-120	1220-20-ER25	E4-20 x 25	20	50	42	55	18	-	25	2-16
7-366-130	1220-20-ER32	E4-20 x 32	20	50	50	55	18	-	32	2-20
7-366-220	1220-25-ER25	E4-25 x 25	25	58	42	55	18	25.0	25	2-16
7-366-230	1220-25-ER32	E4-25 x 32	25	58	50	55	18	25.0	32	2-20
7-366-312	1220-30-ER25	E4-30 x 25	30	68	42	55	22	28.0	25	2-16
7-366-312L	1220-30-ER25-L	-	30	68	42	75	34	28.0	25	2-16
7-366-330	1220-30-ER32	-	30	68	50	55	22	28.0	32	2-20
7-366-330L	1220-30-ER32-L	-	30	68	50	75	29	28.0	32	2-20
7-366-340	1220-30-ER40	E4-30 x 40	30	68	63	75	26	28.0	40	3-26
7-366-420	1220-40-ER25	-	40	83	42	69	22	32.5	25	2-16
7-366-430	1220-40-ER32	E4-40 x 32	40	83	50	84	22	32.5	32	2-20
7-366-440	1220-40-ER40	E4-40 x 40	40	83	63	75	22	32.5	40	3-26
7-366-530	1220-50-ER32	-	50	98	50	84	30	35.0	32	2-20
7-366-510	1220-50-ER40	E4-50 x 40	50	98	63	88	30	35.0	40	3-26

Collets available on page 378

### 1224



- Boring Bar Toolholder
- Suitable for tools with MT
- External coolant supply

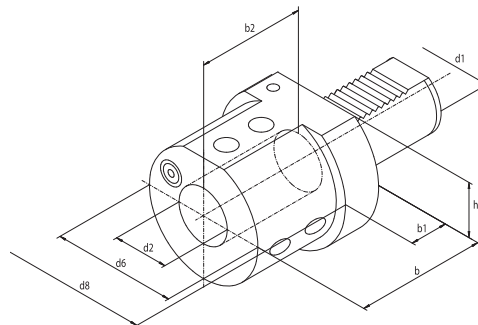


Code No.	Type	DIN 69880	d1	Morse Taper	d2	d4	b	b1	h
			[mm]						
7-362-201	1224-20-1	F20-MK-DK1	20	1	50	-	27	-	-
7-362-301	1224-30-1	F30-MK-DK1	30	1	68	68	27	-	28.0
7-362-302	1224-30-2	F30-MK-DK2	30	2	68	58	36	25	28.0
7-362-303	1224-30-3	-	30	3	68	68	66	-	28.0
7-362-402	1224-40-2	F40-MK-DK2	40	2	83	55	36	22	32.5
7-362-403	1224-40-3	F40-MK-DK3	40	3	83	58	50	22	32.5
7-362-404	1224-40-4	F40-MK-DK4	40	4	83	68	80	22	32.5
7-362-502	1224-50-2	F50-MK-DK2	50	2	98	55	36	30	35.0
7-362-503	1224-50-3	F50-MK-DK3	50	3	98	58	45	30	35.0
7-362-504	1224-50-4	F50-MK-DK4	50	4	98	68	55	30	35.0

### 1253



- Boring Bar Toolholder
- Suitable for tools with cylindrical shank
- External coolant supply



Code No.	Typ	d1	d2	d6	d8	b	b1	b2	h
		[mm]							
7-363-420	1253-40-20	40	20	52	83	67	22	54	32.5
7-363-425	1253-40-25	40	25	65	83	85	22	59	32.5
7-363-432	1253-40-32	40	32	72	83	85	22	63	32.5
7-363-440	1253-40-40*	40	40	83	83	90	-	73	32.5

\*on request

1220

1224

1253